



BOSCH

Invented for life

LB1-BW12-x Bidirectional Cabinet Loudspeakers



- ▶ **Good speech intelligibility and background music reproduction**
- ▶ **Wedge shaped design**
- ▶ **Available in black or white**
- ▶ **MDF construction**
- ▶ **Complies with international installation and safety regulations**

The LB1-BW12-x is a 12 W, cost-effective, bidirectional loudspeaker for indoor use. The baffle design creates a wide opening angle, making this loudspeaker very suitable for use in long corridors. Keyholes at the rear provide quick and easy wall mounting. The cabinet is available in black or white.

short durations. This ensures extra reliability under extreme conditions, leading to higher customer satisfaction, longer operating life, and much less chance of failure or performance deterioration.

Functions

The robust, solid MDF (Medium Density Fiber board) enclosures are covered with a durable, easy-to-clean vinyl in a choice of white or black. The ABS fronts are covered with fine woven cloth in matching color.

The cabinets have two dual cone loudspeaker drivers, mounted on an angled baffle, providing a wide opening angle. This model is intended for use in long corridors, such as in shopping arcades.

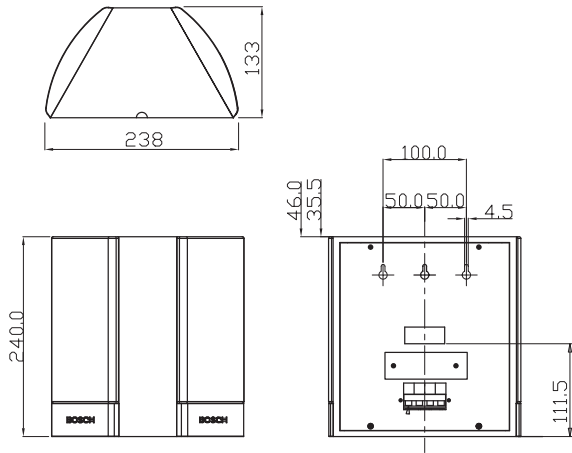
| Region | Certification | |
|--------|------------------|---------------------------|
| Europe | CE | Declaration of Conformity |
| Safety | acc. to EN 60065 | |

Installation/Configuration Notes

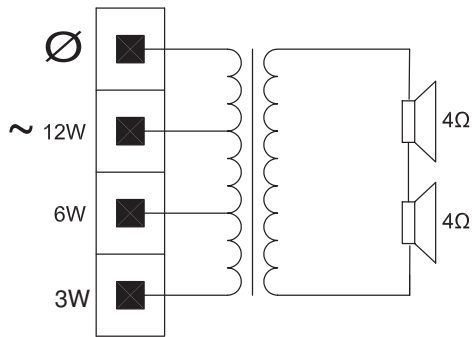
Three keyholes in the rear panel provide easy and quick wall mounting. A convenient, easy-to-use, four-pole push-in terminal block is present on the rear panel for on-site wiring. This terminal block has provision for power tapping on the 100-volt, matching transformer in the cabinet. It allows selection of nominal full-power, half-power or quarter-power radiation (in 3 dB steps).

Certifications and Approvals

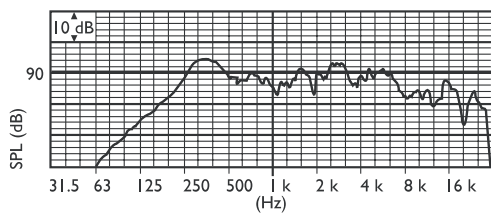
All Bosch loudspeakers are designed to withstand operating at their rated power for 100 hours in accordance with IEC 268-5 Power Handling Capacity (PHC) standards. Bosch has also developed the Simulated Acoustical Feedback Exposure (SAFE) test to demonstrate that they can withstand two times their rated power for



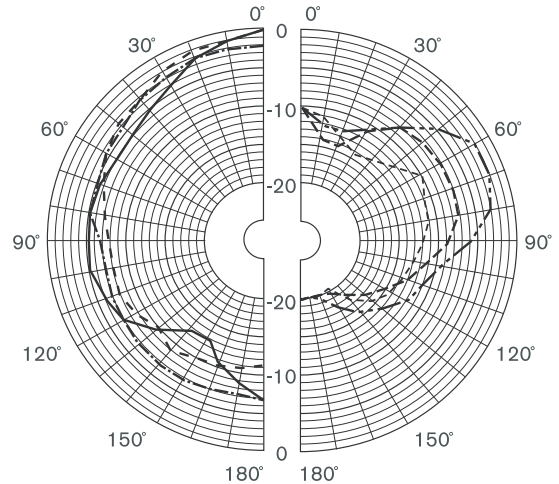
Dimensions in mm



Circuit diagram



Frequency response



- - - - - 250 Hz - - - - - 2000 Hz
 - - - - - 500 Hz - - - - - 4000 Hz
 - - - - - 1000 Hz - - - - - 8000 Hz

Polar diagram (measured with pink noise)

Technical Specifications

Electrical*

| | |
|---|-------------------------------|
| Maximum power | 18 W |
| Rated power | 12 / 6 / 3 W |
| Sound pressure level at 12 W / 1 W (1 kHz, 1 m) | 97 / 86 dB (SPL) |
| Effective frequency range (-10 dB) | 140 Hz to 20 kHz |
| Opening angle at 1 kHz / 4 kHz (-6 dB) | 270° / 165° |
| Rated input voltage | 100 V |
| Rated impedance | 833 ohm |
| Connector | 4-pole push-in terminal block |

* Technical performance data acc. to IEC 60268-5

Mechanical

| | |
|------------------------|---|
| Dimensions (H x W x D) | 240 x 238 x 133 mm (9.4 x 9.3 x 5.24 in) |
| Weight | 1.5 kg (3.3 lb) |
| Color | Black (D) or white (L) |
| cabinet / cloth (D) | Matches RAL 9004 / RAL 9004 |
| cabinet / cloth (L) | Matches RAL 9010 / RAL 7044 |

Environmental

| | |
|-----------------------|--------------------------------------|
| Operating temperature | -25 °C to +55 °C (-13 °F to +131 °F) |
| Storage temperature | -40 °C to +70 °C (-40 °F to +158 °F) |
| Relative humidity | <95% |

Ordering Information

| | |
|---|-------------------|
| LB1-BW12-D Bi-Directional Cabinet Loudspeaker 12 W, black | LB1-BW12-D |
|---|-------------------|

| | |
|---|-------------------|
| LB1-BW12-L Bi-Directional Cabinet Loudspeaker 12 W, white | LB1-BW12-L |
|---|-------------------|

Americas:

Bosch Communications Systems
12000 Portland Avenue South
Burnsville, Minnesota 55337, USA
Phone: +1-800-392-3497
Fax: +1-800-955-6831
audiosupport@us.bosch.com
www.boschsecurity.com

Europe, Middle East, Africa:

Bosch Security Systems B.V.
P.O. Box 80002
5600 JB Eindhoven, The Netherlands
Phone: +31 40 2577 284
Fax: +31 40 2577 330
emea.securitysystems@bosch.com
www.boschsecurity.com

Asia-Pacific:

Robert Bosch (SEA) Pte Ltd
11 Bishan Street 21
Singapore 573943
Phone: +65 6571 2600
Fax: +65 6571 2698
apr.securitysystems@bosch.com
www.boschsecurity.com

Represented by