



LB2-UCxx-x Premium-sound Cabinet Loudspeaker Range



- ▶ **High-fidelity music and speech reproduction**
- ▶ **Selectable 8 ohm, 70 V and 100 V inputs**
- ▶ **Compact yet robust ABS enclosure**
- ▶ **Supplied with adjustable mounting bracket**
- ▶ **Complies with international installation and safety regulations**

The LB2-UCxx-x Premium-sound cabinet loudspeakers are intended for clear reproduction of speech, foreground and background music to be used in general indoor and outdoor applications. The Premium-sound cabinet loudspeaker range consists of a 15 W and 30 W model, available in a light or dark color. The loudspeakers have selectable 8 ohm, 70 V and 100 V inputs.

Typical applications are: theme bars, music restaurants, theme parks, retail outlets, audio visual, boardrooms and offices, exhibition areas, showrooms, fitness centre's and presentation environments.

Certifications and Approvals

All Bosch loudspeakers are designed to withstand operating at their rated power for 100 hours in accordance with IEC 268-5 Power Handling Capacity (PHC) standards. Bosch has also developed the Simulated Acoustical Feedback Exposure (SAFE) test to demonstrate that the speakers can withstand two times their rated power for short durations. This ensures extra reliability under extreme conditions, leading to greater customer satisfaction, longer operating life, and much less chance of failure or performance deterioration.

Safety	acc. to EN 60065
Water protection	acc. to EN 60529 IP x4
Self extinguishing	acc. to UL94 V 0

Installation/Configuration Notes

The cabinets include a built-in transformer that offers a selection of nominal full power, half power, quarter power or eight power radiation (i.e. in 3 dB steps) for 70 V, 100 V or 8 Ohm bypass.

Selection is done by a convenient switch on the rear enclosure.

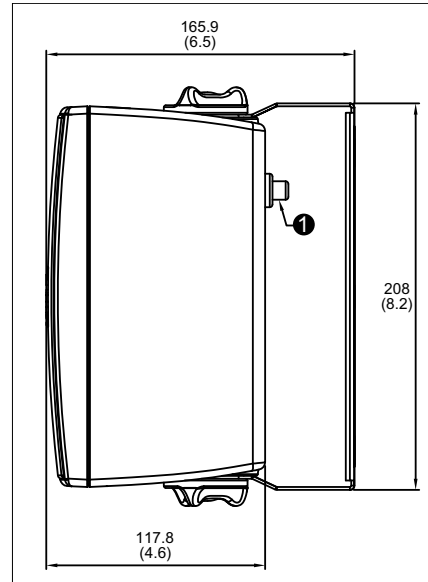
A two meter long twin-core loudspeaker cable (in matching color with the cabinet) is connected to the loudspeaker. The core ends are stripped ready for use.

The cabinets can be mounted horizontally to allow the loudspeaker to be directed up or down, or vertically to allow left and right rotation by means of a steel U-shaped wall bracket (standard supplied).

The rotatable logo can be easily adjusted to match the mounting orientation.



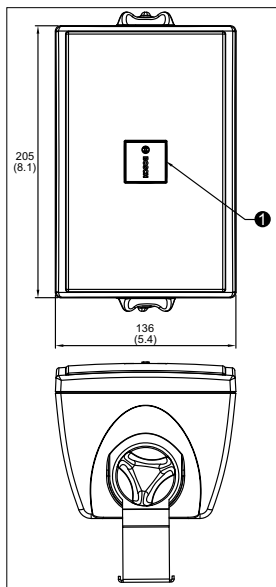
Rear view LB2-UC15-30-D/L



1 Power tapping switch

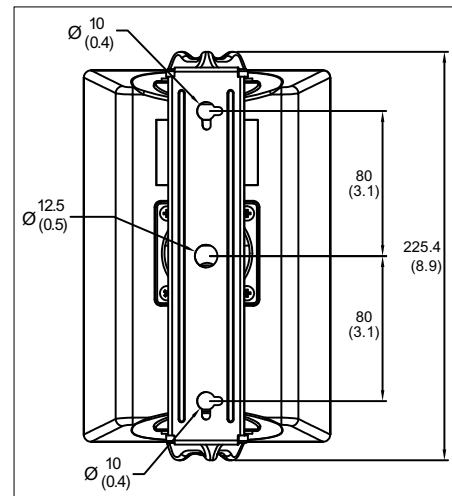
Mechanical diagram: side view in mm (in.)

LB2-UC15-D/L

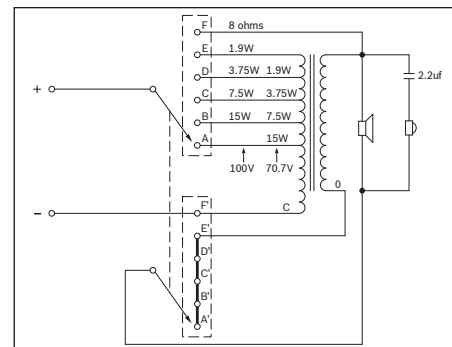


1 Rotatable logo

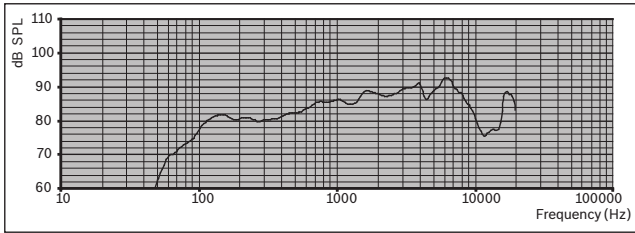
Mechanical diagram: front and top view in mm (in.)



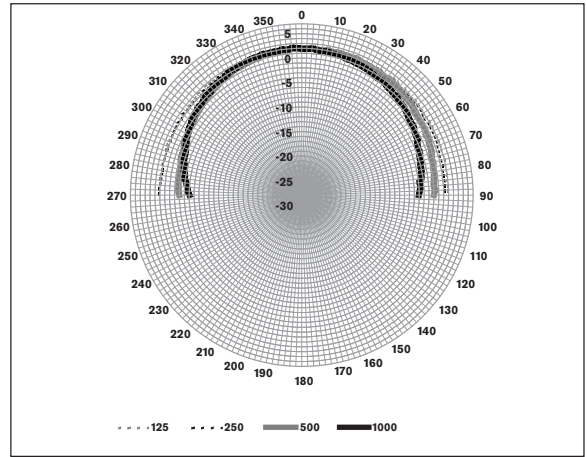
Mechanical diagram: rear view in mm (in.)



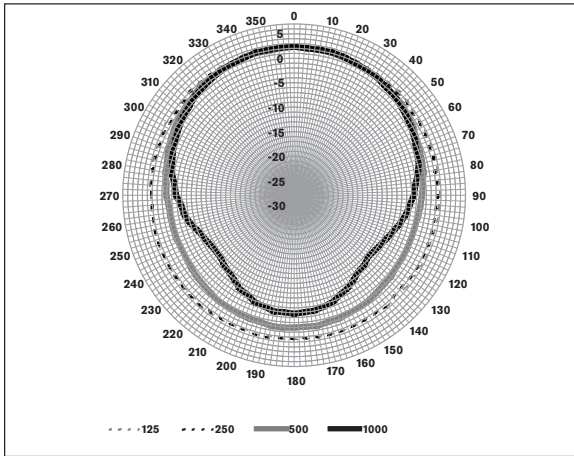
Circuit diagram



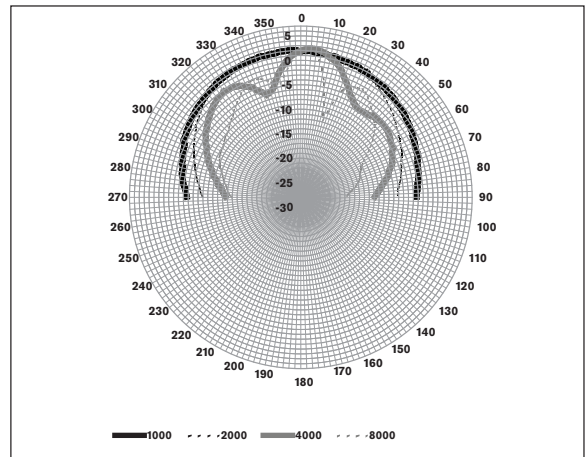
Frequency response



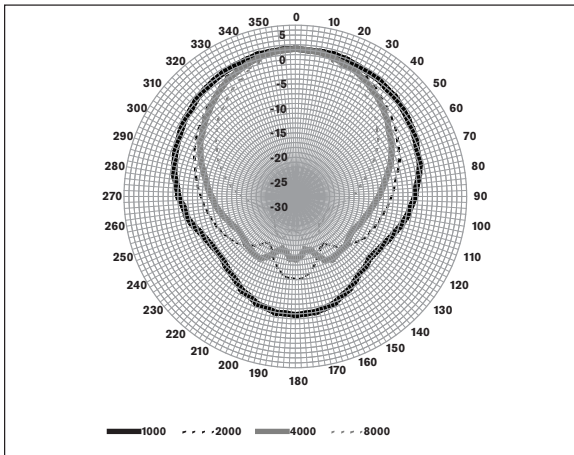
Polar diagram vertical



Polar diagram horizontal



Polar diagram vertical



Polar diagram horizontal

Octave band sensitivity*

	Octave SPL 1W/1m	Total octave SPL 1W/1m	Total octave SPL Pmax/1m
125 Hz	80.6	-	-
250 Hz	80.4	-	-
500 Hz	82.7	-	-
1000 Hz	85.9	-	-
2000 Hz	87.8	-	-
4000 Hz	88.9	-	-
8000 Hz	88.8	-	-
A-weighted	-	84.7	95.9
Lin-weighted	-	85.0	95.6

Octave band opening angles

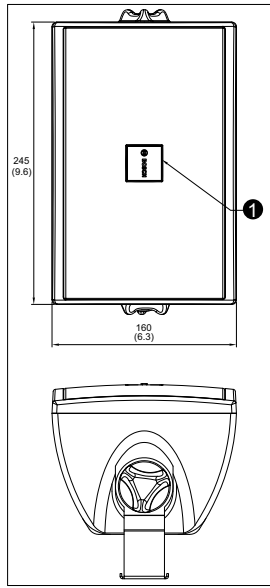
	Horizontal	Vertical
125 Hz	360	> 180
250 Hz	360	> 180
500 Hz	360	> 180
1000 Hz	179	168

2000 Hz	115	121
4000 Hz	101	35
8000 Hz	76	44

Acoustical performance specified per octave

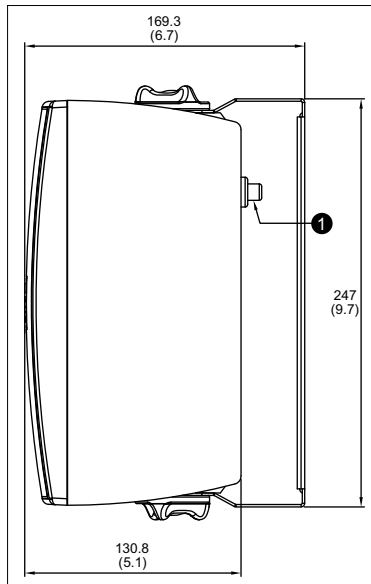
* (all measurements are done with a pink noise signal; the values are in dB SPL)

LB2-UC30-D/L



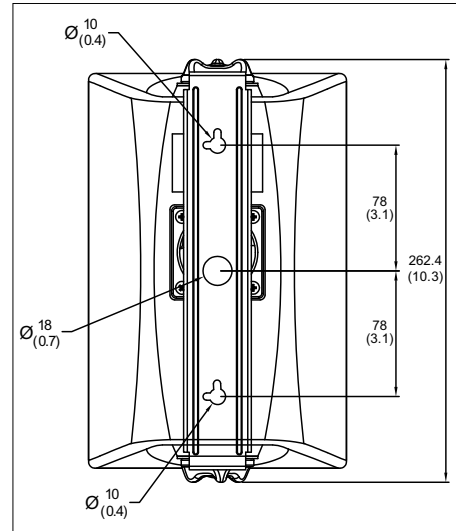
1 Rotatable logo

Mechanical diagram: front and top view in mm (in.)

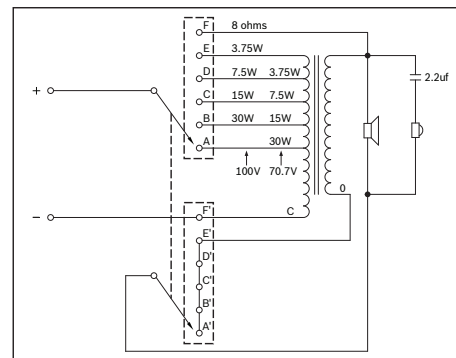


1 Power tapping switch

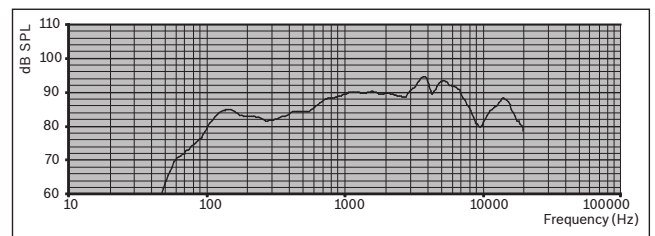
Mechanical diagram: side view in mm (in.)



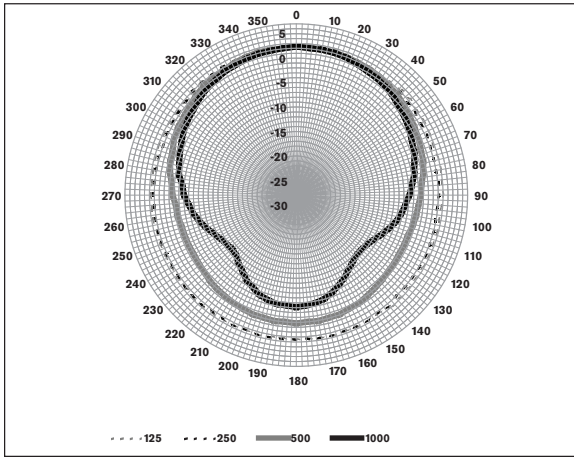
Mechanical diagram: rear view in mm (in.)



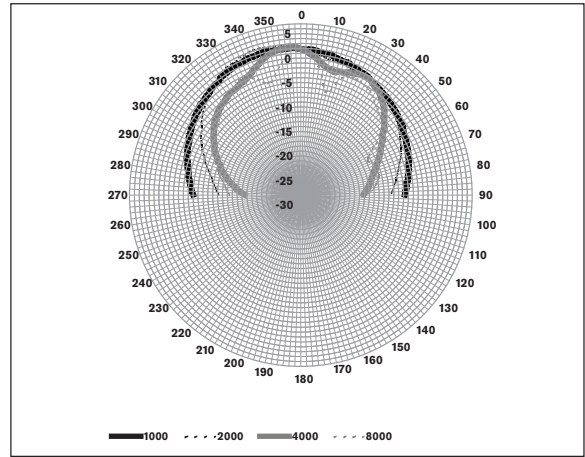
Circuit diagram



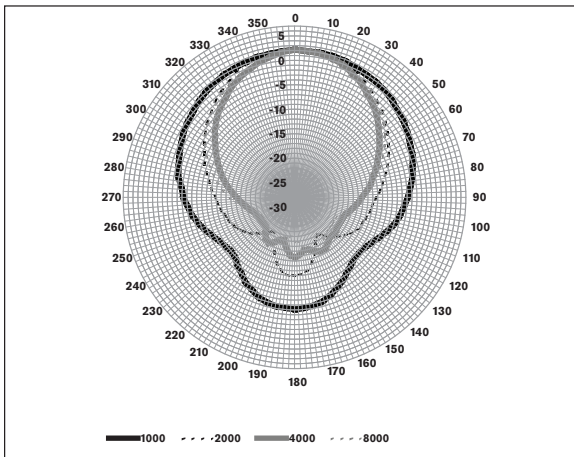
Frequency response



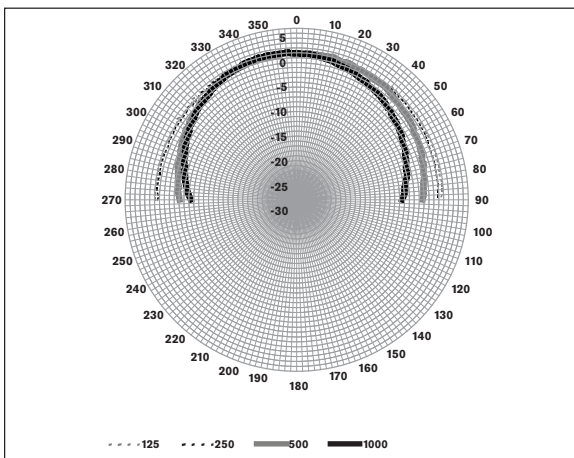
Polar diagram horizontal



Polar diagram vertical



Polar diagram horizontal



Polar diagram vertical

Octave band sensitivity *

	Octave SPL 1W/1m	Total octave SPL 1W/1m	Total octave SPL Pmax/1m
125 Hz	83.2	-	-
250 Hz	82.6	-	-
500 Hz	85.1	-	-
1000 Hz	89.5	-	-
2000 Hz	89.8	-	-
4000 Hz	92.8	-	-
8000 Hz	88.6	-	-
A-weighted	-	87.5	100.9
Lin-weighted	-	87.6	100.5

Octave band opening angles

	Horizontal	Vertical
125 Hz	360	> 180
250 Hz	360	> 180
500 Hz	360	> 180
1000 Hz	160	150
2000 Hz	97	116
4000 Hz	81	90
8000 Hz	93	52

Acoustical performance specified per octave

* (all measurements are done with a pink noise signal; the values are in dB SPL)

Parts Included

Quantity	Components
1	LB2-UCxx-x
1	Mounting bracket
1	Installation instruction

Technical Specifications**Electrical***

Product	LB2-UC15-(D/L)	LB2-UC30-(D/L)
Description	Premium-sound Cabinet Loudspeaker	Premium-sound Cabinet Loudspeaker
Maximum power	22.5 W	45 W
Rated power (PHC)	15 W	30 W
Power tapping	15 / 7.5 / 3.75 / 1.9 W	30 / 15 / 7.5 / 3.75 W
Sound pressure level at rated power / 1 W (1 kHz, 1 m)	98/86 dB (SPL)	105/90 dB (SPL)
Effective frequency range (-10 dB)	95 Hz to 19.5 kHz	100 Hz to 18.5 kHz
Opening angle at 1 kHz / 4 kHz (-6 dB)	179° / 101° (hor.) 168° / 35° (ver.)	160° / 81° (hor.) 150° / 90° (ver.)
Rated input voltage	11/70/100 V	15.5/70/100 V
Rated impedance	8 / 326 / 667 ohm	8 / 163 / 333 ohm
Transducers	101.6 mm (4") woofer, 13 mm (0.51") dome tweeter	127 mm (5") woofer, 13 mm (0.51") dome tweeter
Connection	2 m (78.8 in.) two-wire cable	2 m (78.8 in.) two-wire cable

* Technical performance data acc. to IEC 60268-5

Mechanical

Dimensions (H x W x D)	205 x 136 x 117 mm (8.07 x 5.35 x 4.60 in)	250 x 160 x 140 mm (9.84 x 6.30 x 5.51 in)
Weight	Approx. 1.9 kg (4.18 lb)	Approx. 2.4 kg (5.29 lb)
Color	White (RAL 9010) (L) or Charcoal (RAL 7021) (D)	White (RAL 9010) (L) or Charcoal (RAL 7021) (D)

Environmental

Operating temperature	-25 °C to +55 °C (-13 °F to +131 °F)
Storage temperature	-40 °C to +70 °C (-40 °F to +158 °F)
Relative humidity	<95%

Ordering Information

LB2-UC15-D Premium-sound Cabinet Loudspeaker 15 W, ABS charcoal	LB2-UC15-D
LB2-UC15-L Premium-sound Cabinet Loudspeaker 15 W, ABS white	LB2-UC15-L
LB2-UC30-D Premium-sound Cabinet Loudspeaker 30 W, ABS charcoal	LB2-UC30-D
LB2-UC30-L Premium-sound Cabinet Loudspeaker 30 W, ABS white	LB2-UC30-L

Americas:
Bosch Communications Systems
12000 Portland Avenue South
Burnsville, Minnesota 55337, USA
Phone: +1-800-392-3497
Fax: +1-800-955-6831
audiosupport@us.bosch.com
www.boschsecurity.com

Europe, Middle East, Africa:
Bosch Security Systems B.V.
P.O. Box 80002
5600 JB Eindhoven, The Netherlands
Phone: +31 40 2577 284
Fax: +31 40 2577 330
emea.securitysystems@bosch.com
www.boschsecurity.com

Asia-Pacific:
Robert Bosch (SEA) Pte Ltd
11 Bishan Street 21
Singapore 573943
Phone: +65 6571 2600
Fax: +65 6571 2698
apr.securitysystems@bosch.com
www.boschsecurity.com

Represented by