



CAD10/T - CAD10T/EN

Plastic Projector Speaker

MAIN PROPERTIES

Rated power, Watts: 10
Tappings 100 volt line, Watts: 10/5/2.5/1.25
Transformer Impedance, Ohms: 1k/2k/4k/8k
Tappings 70.7 volt line, Watts: 5/2.5/1.25/0.375
Driver impedance, Ohms: 8
Effective frequency range, Hz (BSEN60268-5): 120–18,000
S.P.L. @ 1m, 1 watt, dB, Test Signal Bandwidth 100Hz – 10 kHz: 90
S.P.L. @ Full power, Octave Bandwidth dB: 100
Acoustic Power (dB-PWL@1 Watt) 1k/2k Hz, dB: 87/89
Dispersion at 1k/2k Hz, Degrees: 180/120
Directivity Axial Q factor, 1 k/2kHz: 2.5/5.8
Dimensions, front & depth, mm: Ø138 x 204
Net weight, Kgs: 1.3
Colour/Finish White
Material ABS Plastic with UV inhibitor and
Stainless steel hardware
Mounting Aluminium U bracket

CAD10T/EN is BS5839 Part 8 voice alarm compliant

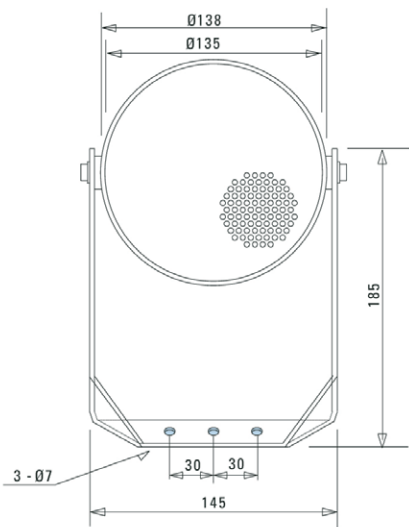




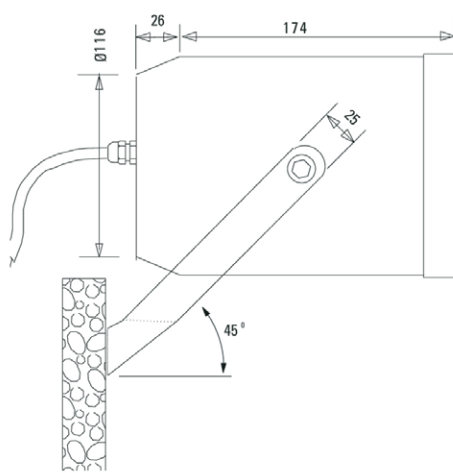
CAD10/T - CAD10T/EN

Plastic Projector Speaker

front view
unit: **mm**



side view
unit: **mm**

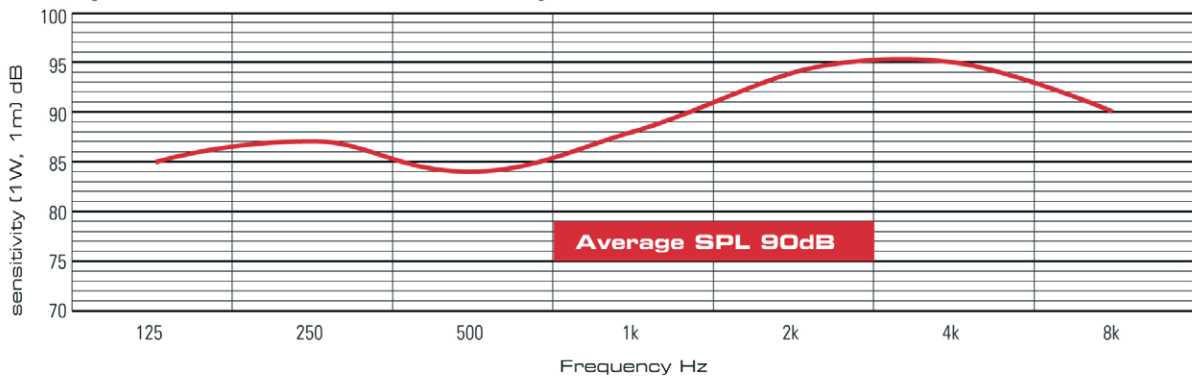


circuit diagram

CAD10/T



speech octave band sensitivity



Effective Frequency Range CAD10/T - CAD10T/EN 120Hz - 18,000Hz